

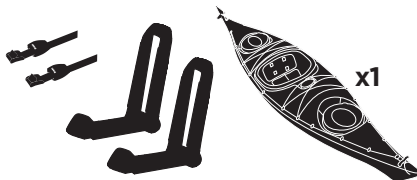
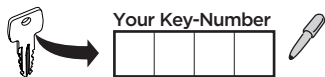
# > Instructions

## Thule Hull-a-Port Aero 849000





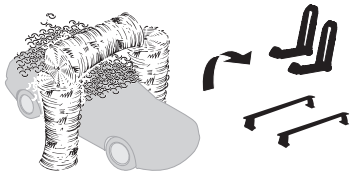
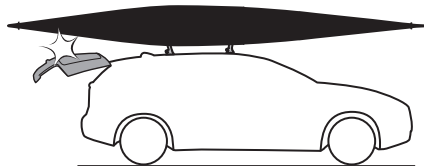
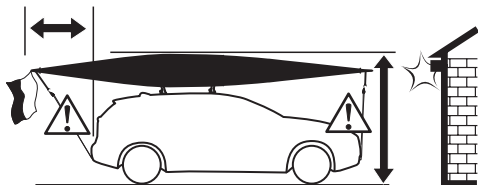
**i**



x1

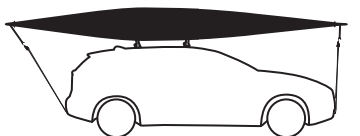
6,8 kg  
15 lbs

Max 34 kg  
75 lbs

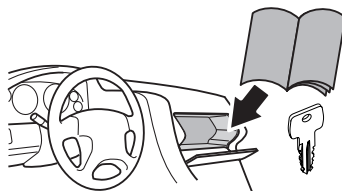
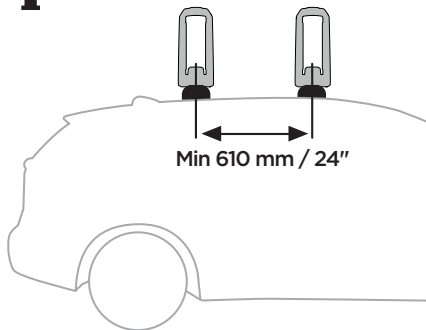


130  
km/h

80  
mph

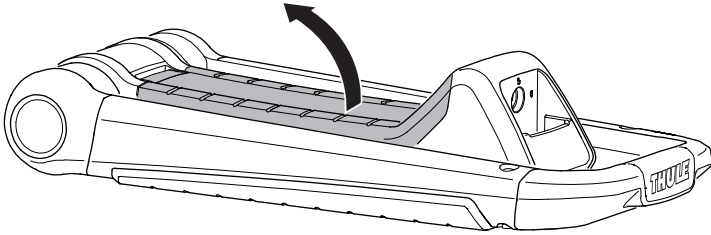


**i**

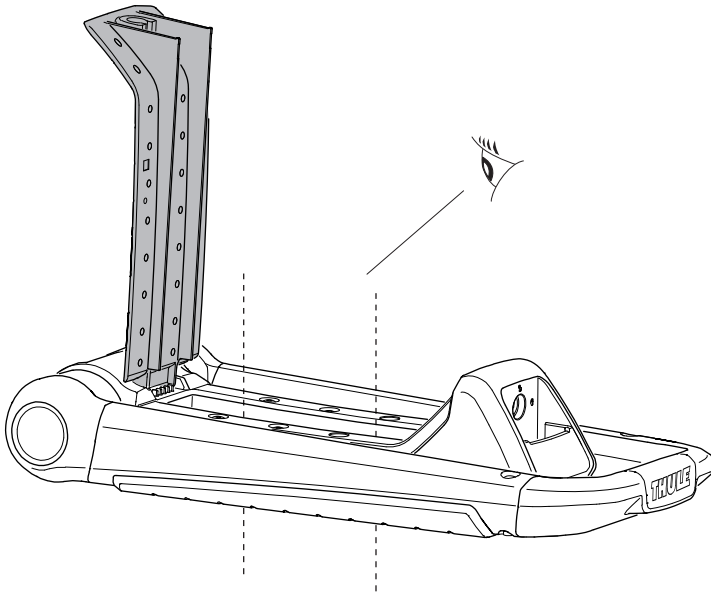


1

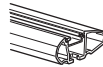
A



B



**i**

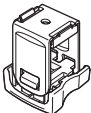


Thule WingBar Evo, Thule WingBar, Thule AeroBlade, Thule AeroBar, Thule ProBar, Thule SlideBar

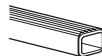
**2-3,  
6-14**



+



+



Thule SquareBar

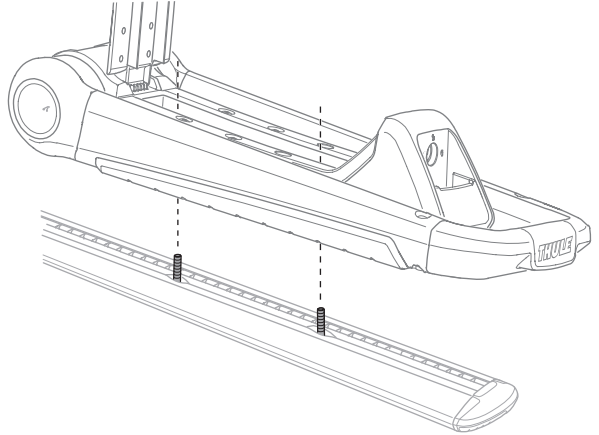
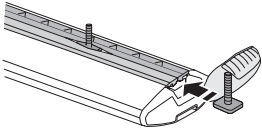
**4-14**

Thule SquareBar  
Adapter 8897

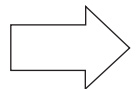
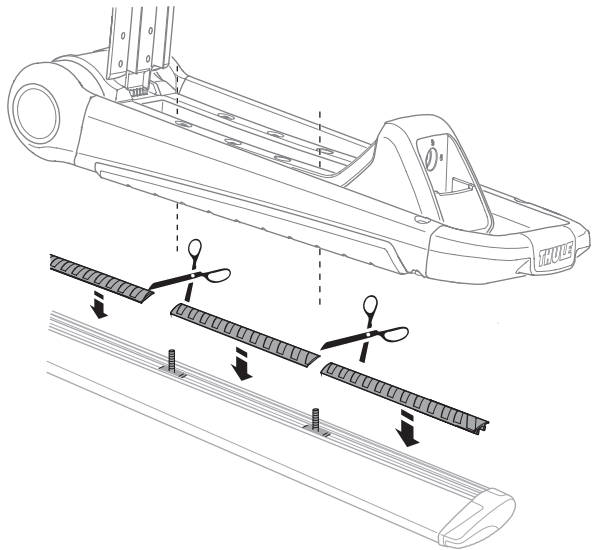
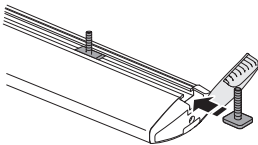
2

 x4

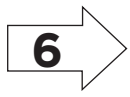
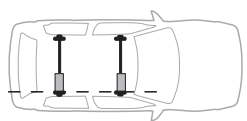
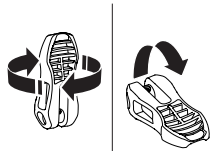
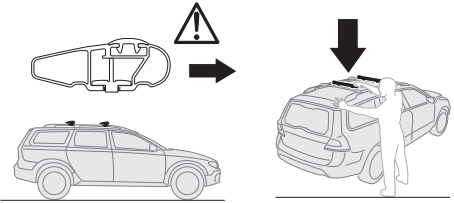
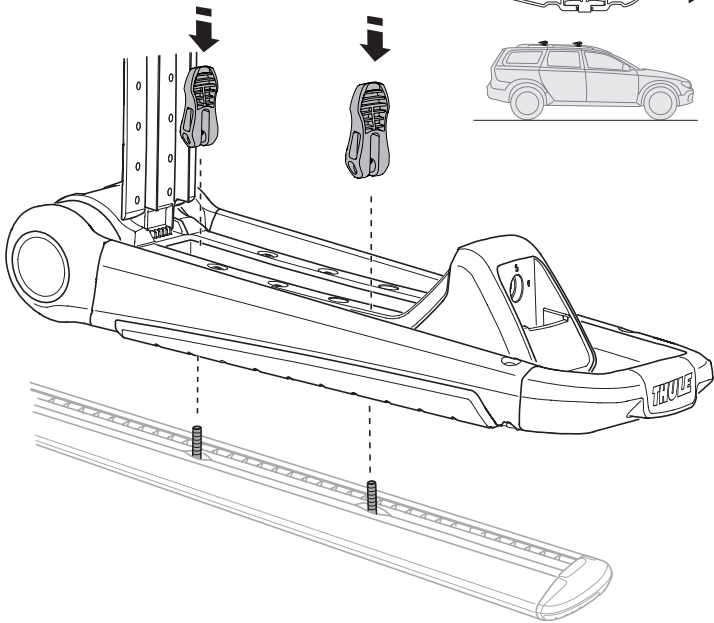
 THULE  
WingBar Evo



 THULE WingBar  
THULE AeroBlade



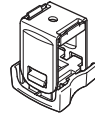
3



4

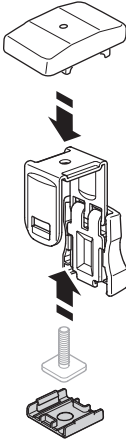
THULE  
SquareBar

Thule SquareBar  
Adapter 8897



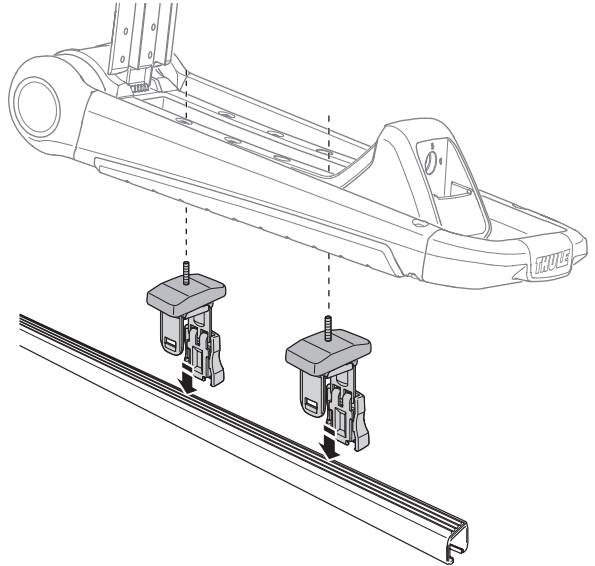
x4

A

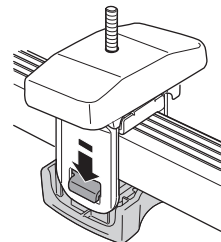
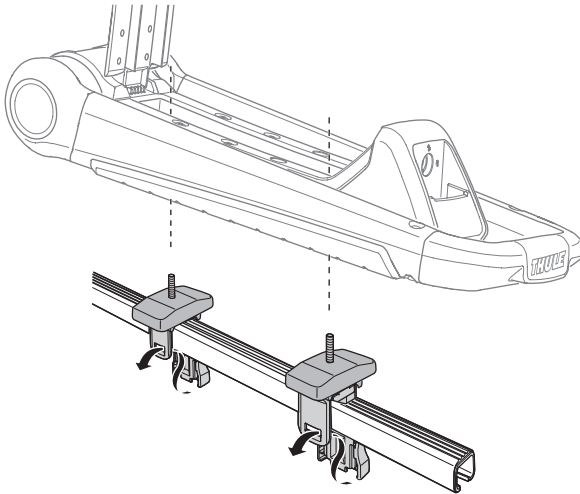


x4

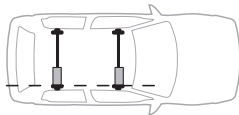
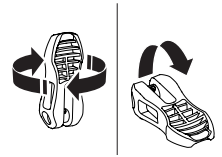
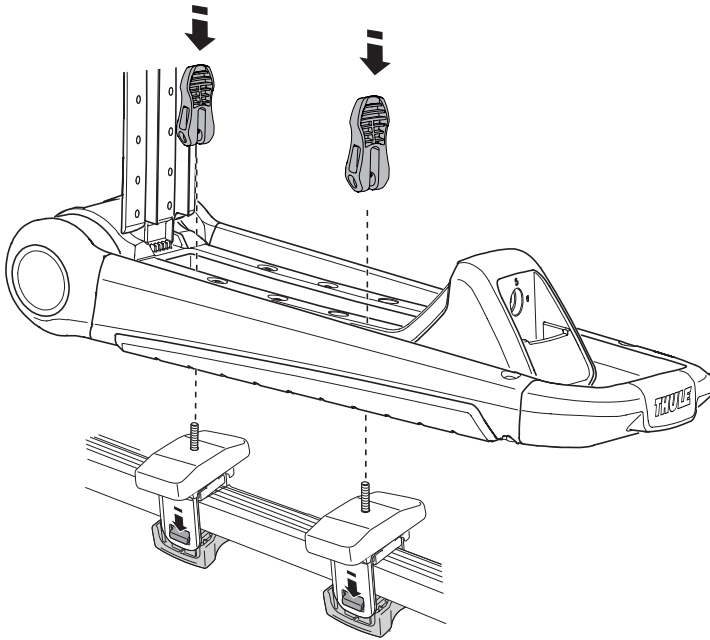
B



C

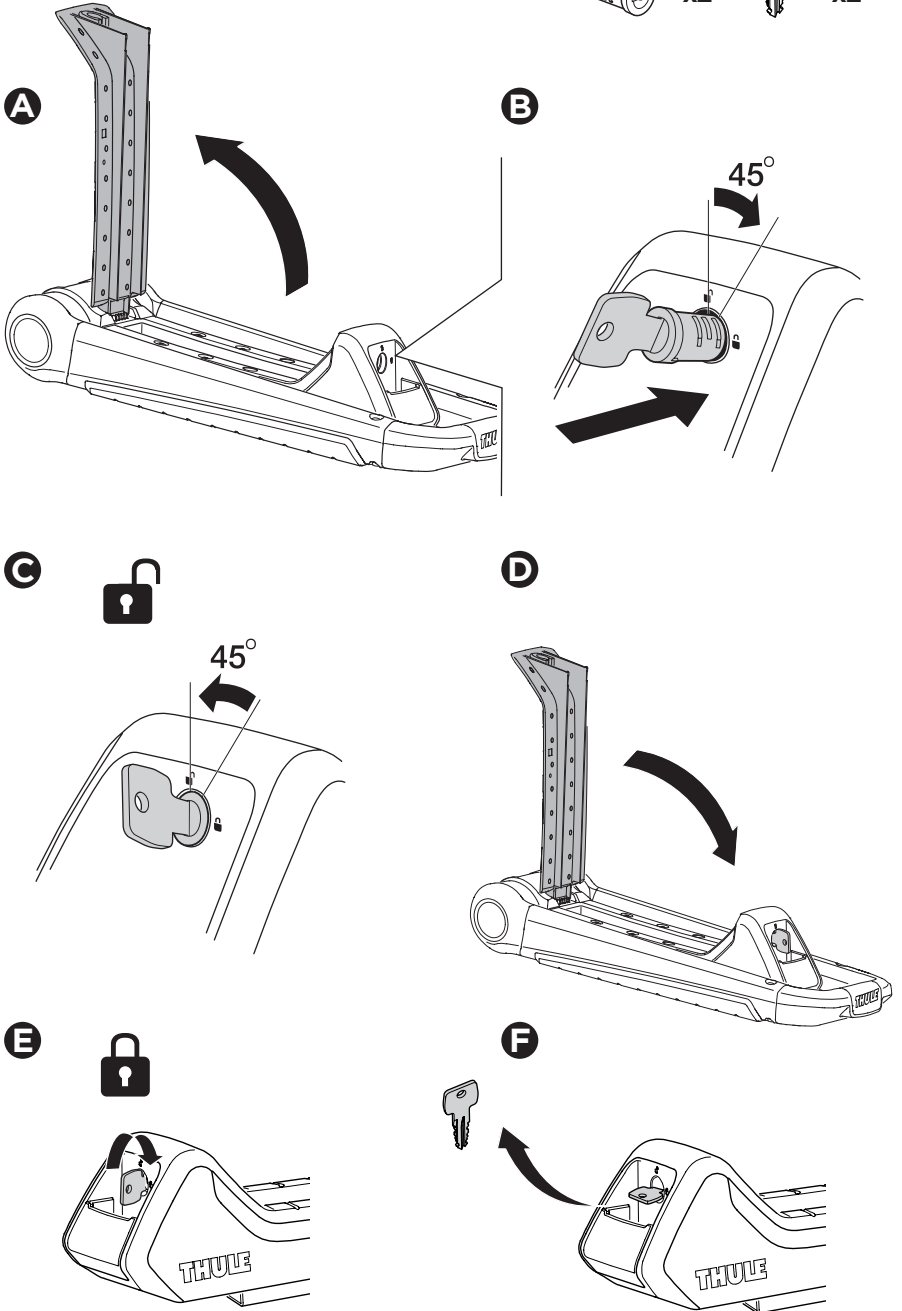


5



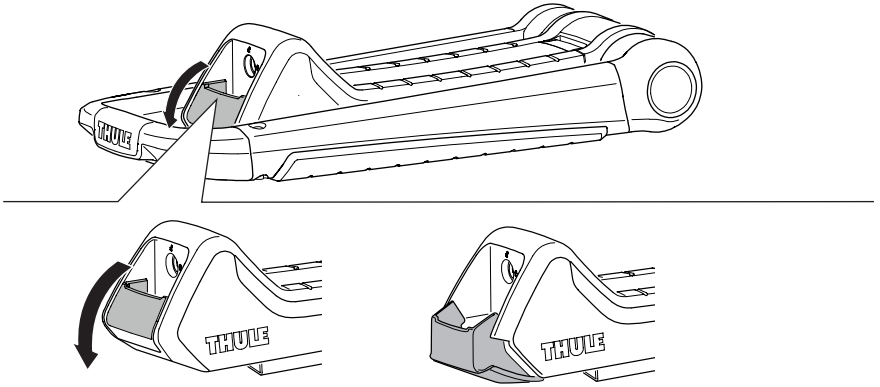


6

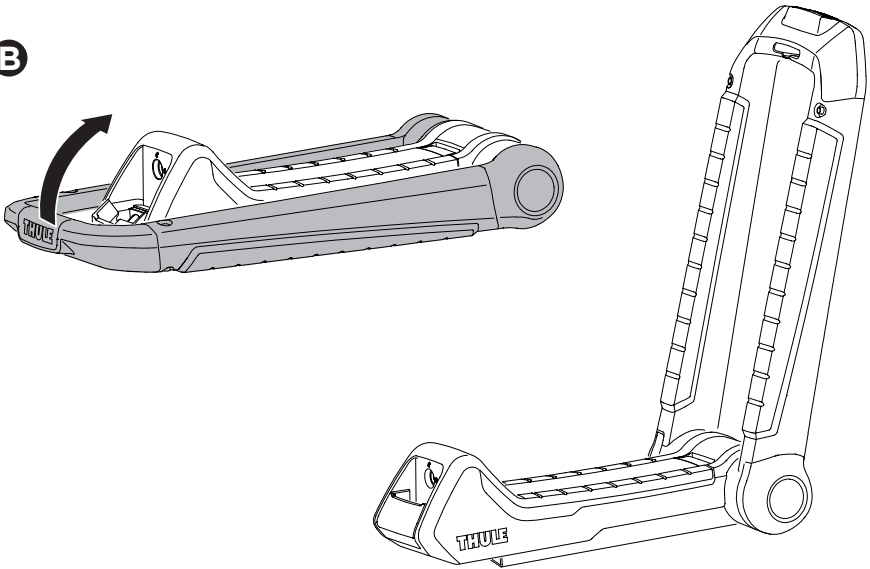


7

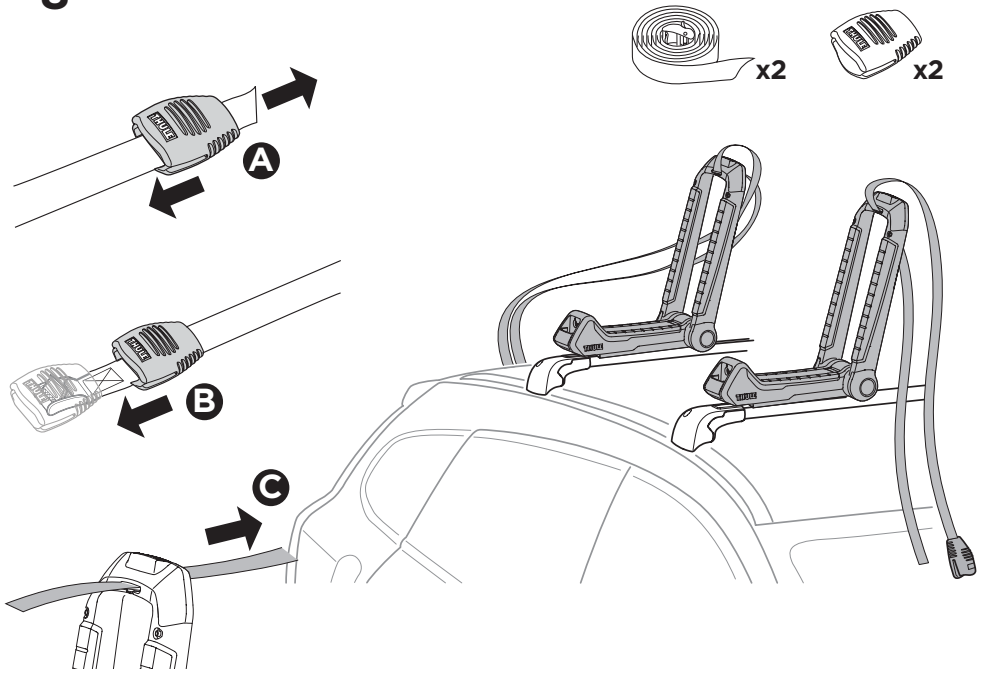
A



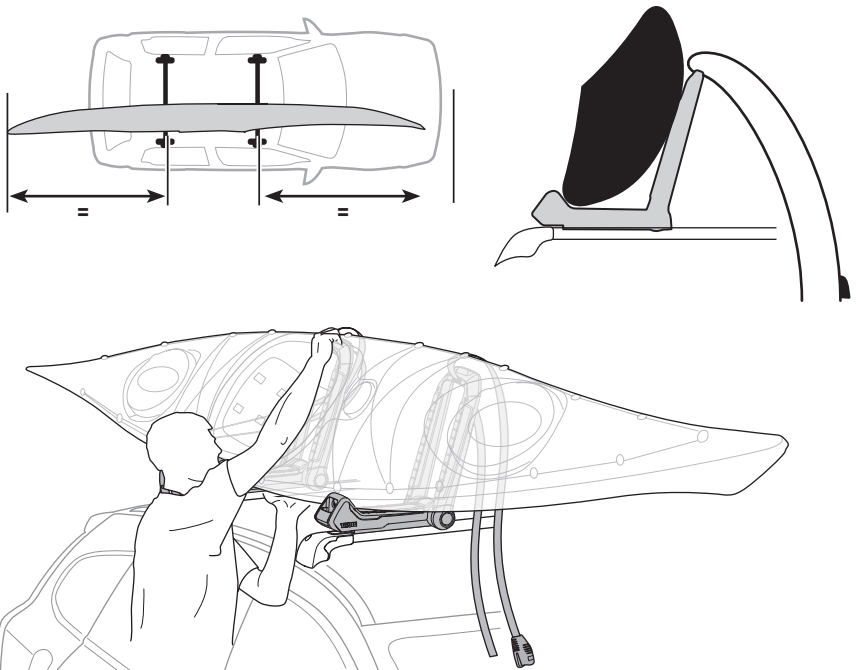
B



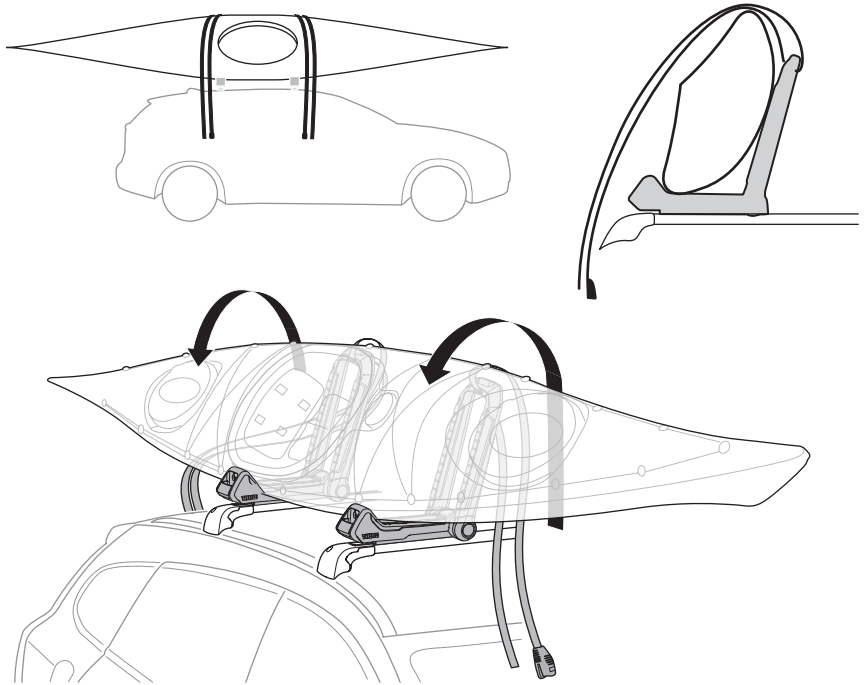
8



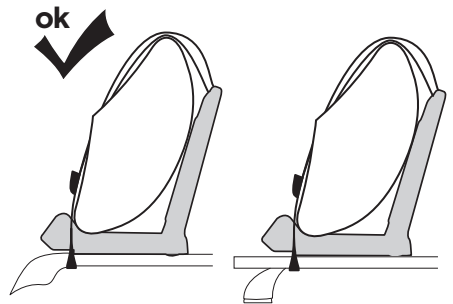
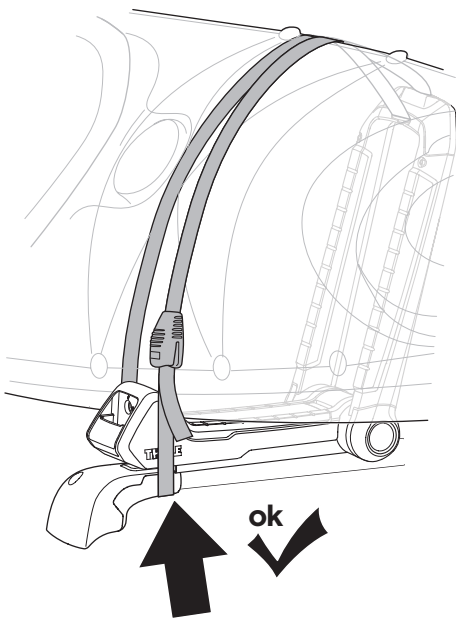
9

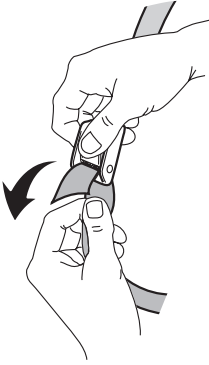
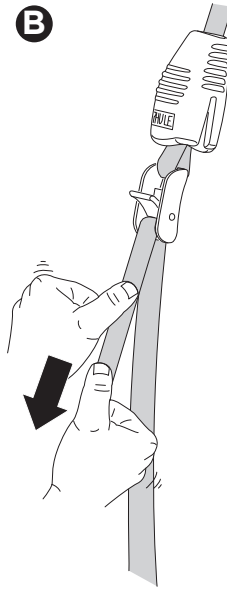
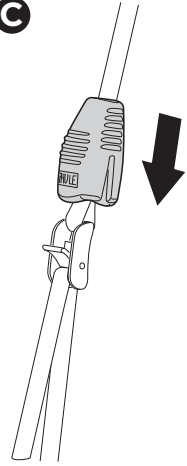
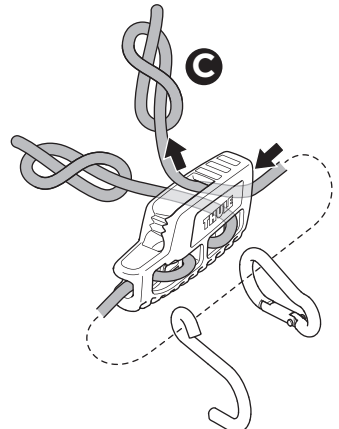
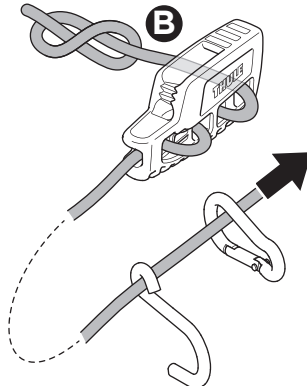
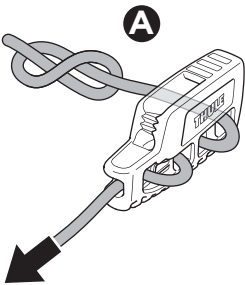
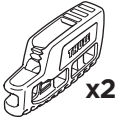


10

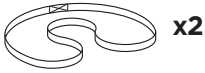


11



**A****B****C****12**

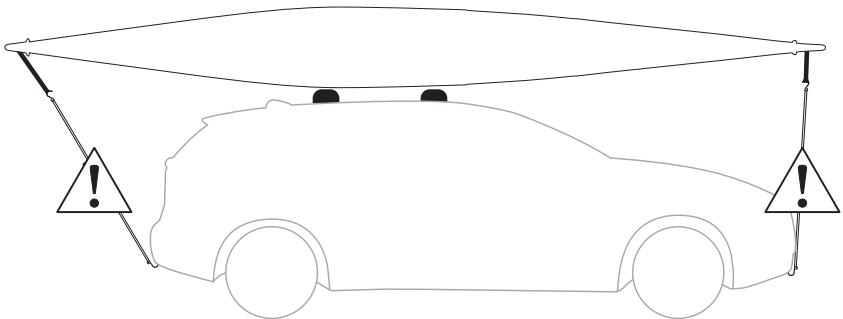
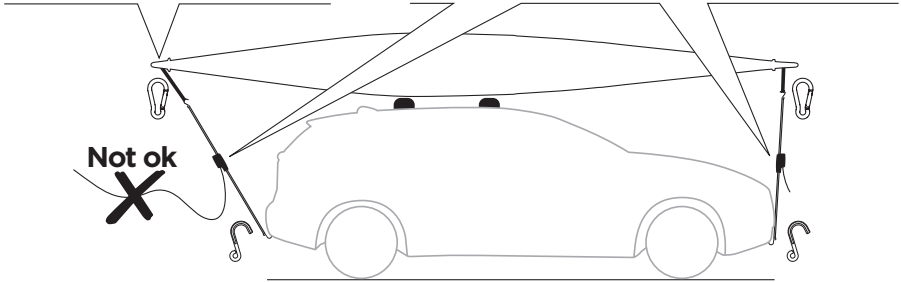
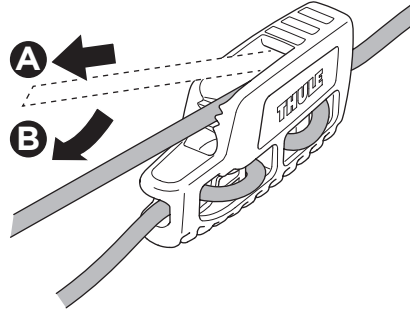
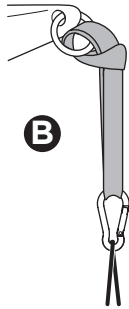
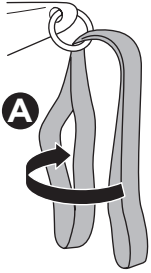
13



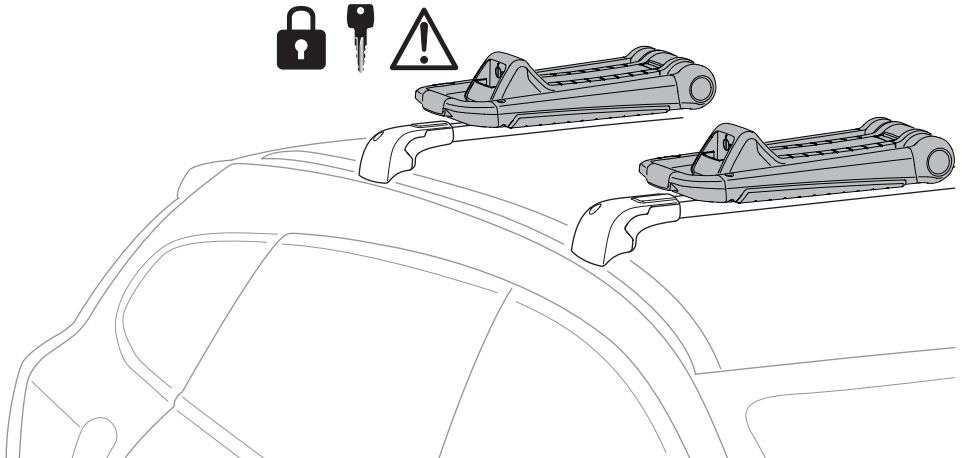
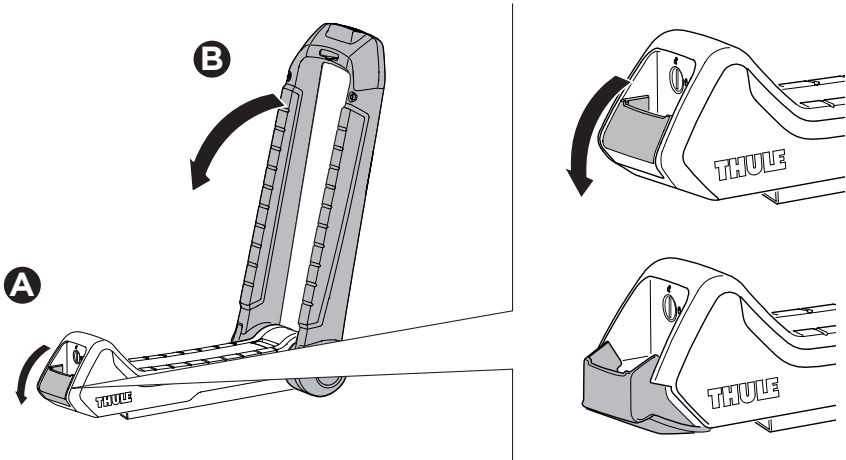
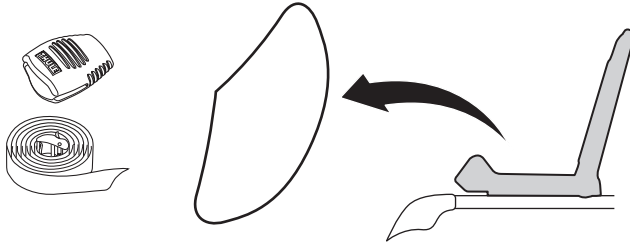
Not ok  
X



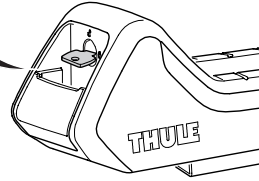
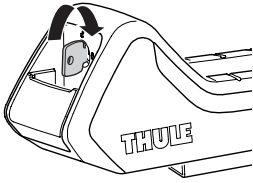
ok  
✓



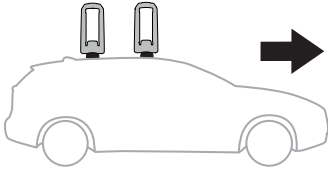
14



**i**



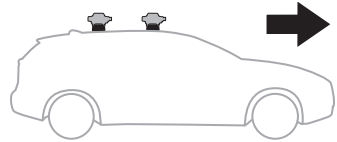
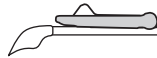
**i**



Not ok



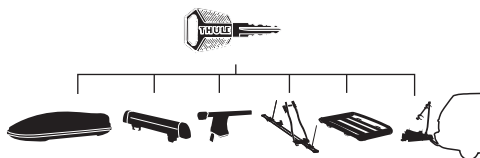
ok





<b>EN</b> Accessories	<b>DK</b> Tilbehør	<b>UK</b> Аксессуары	<b>EL</b> Εξαρτήματα
<b>DE</b> Zubehör	<b>NE</b> Tilbehør	<b>BG</b> Принадлежности	<b>TR</b> Aksesuarlar
<b>FR</b> Accessoires	<b>FI</b> Lisävarusteet	<b>CS</b> Doplňky	<b>AR</b> الملحقات
<b>NL</b> Accessoires	<b>ET</b> Lisavarustus	<b>SK</b> Príslušenstvo	<b>HE</b> אביזרים
<b>IT</b> Accessori	<b>LV</b> Piederumi	<b>SL</b> Dodatki	<b>ZH</b> 附件
<b>ES</b> Accesorios	<b>LT</b> Priedai	<b>HR/BIH</b> Dodaci	<b>JA</b> アクセサリー
<b>PT</b> Acessórios	<b>PL</b> Akcesoria	<b>RO</b> Accesorii	<b>KO</b> 액세서리
<b>SV</b> Tillbehör	<b>RU</b> Аксессуары	<b>HU</b> Tartozékok	<b>TH</b> อุปกรณ์เสริม

## Thule One-Key System



**450200** (x2)

**450400** (x4)

**450600** (x6)

**450800** (x8)

**451200** (x12)

**451600** (x16)

## Thule Lockable Strap

- 831 2 x 13 foot
- 832 2 x 10 foot
- 841 2 x 400 cm



## Thule Strap

- 521 1 x 275 cm
- 522 1 x 400 cm
- 523 2 x 400 cm
- 524 2 x 275 cm
- 551 2 x 600 cm



## Thule Multipurpose Rack

855

## Thule Get-a-Grip

839



## Thule MultiLift

572

